

**HR861153C**

**Electrical Specification @25°C**

RoHS Compliant (PB Free)

Operating Temperature Range: 0°C ~ +70°C

Isolation: 2250VDC 60Sec 0.5mA (J1~8 to P1~7)

OCL: 350uH Minimum @100KHz 100mV with 8mADC

Insertion Loss: -1.0dB Maximum @1MHz ~ 100MHz

Return Loss: -16dB Minimum @1MHz ~ 30MHz

-14dB Minimum @40MHz / -12dB Minimum @50MHz

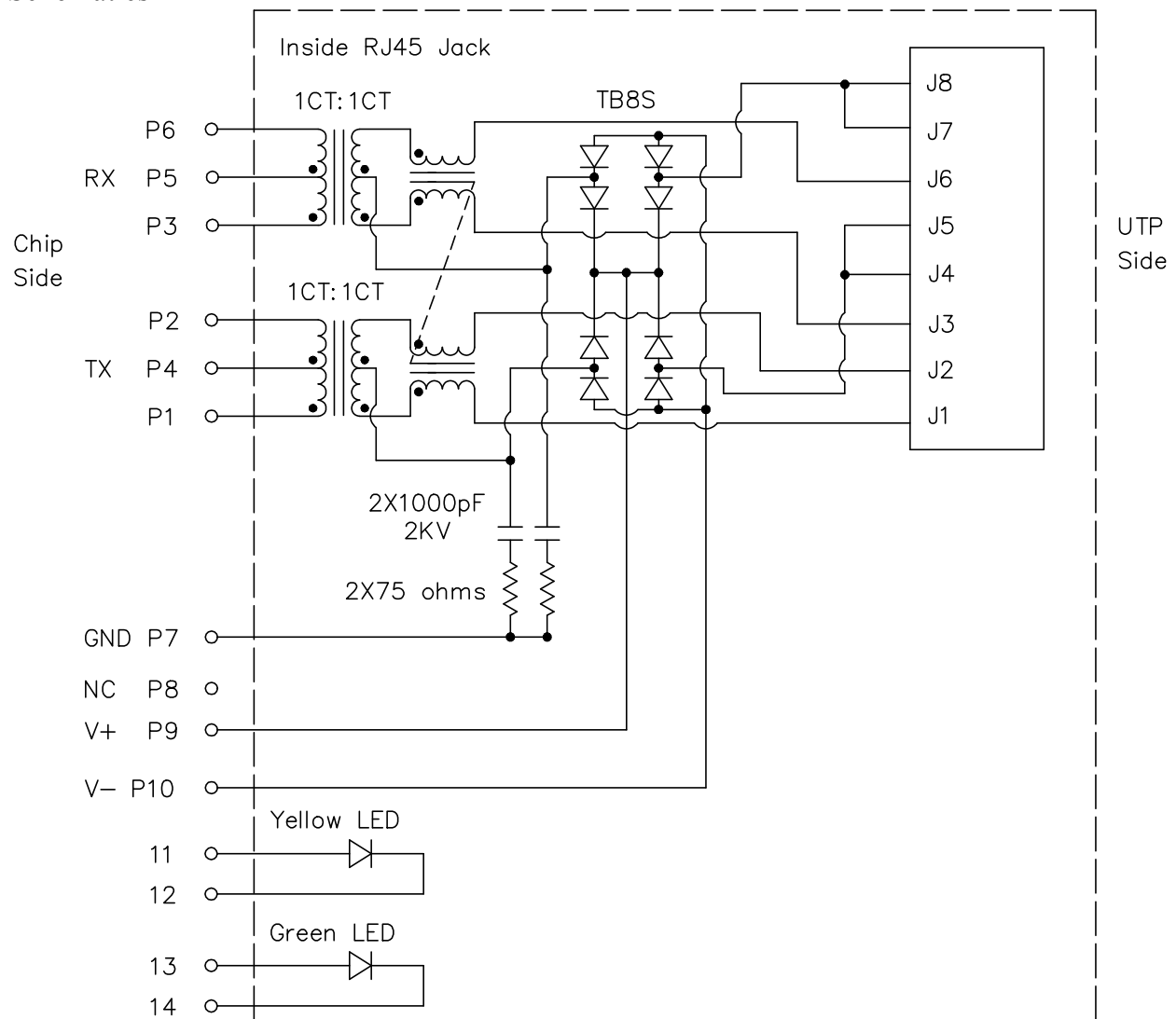
-10dB Minimum @60MHz ~ 80MHz

Different to Common Mode Rejection: -33dB Minimum @1MHz ~ 100MHz

CMRR: -30dB Minimum @1MHz ~ 100MHz

Crosstalk: -30dB Minimum @1MHz ~ 100MHz

**Schematics**



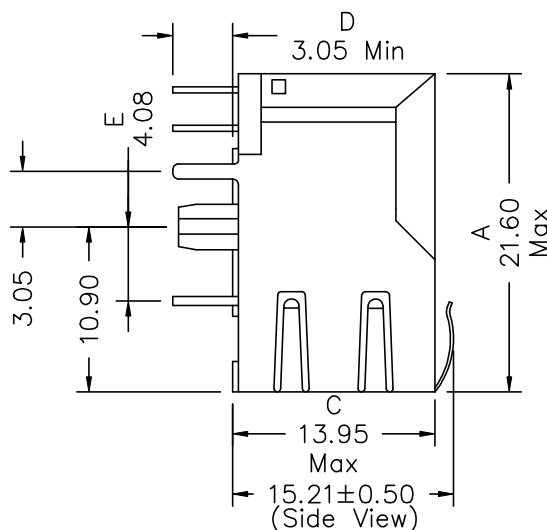
**HR861153C**

- RoHS Compliant (PB Free)
- Meets or Exceeds IEEE802.3af standards including 350uH Min OCL with 8mADC
- High performance for EMI suppression, Crosstalk, Return Loss and Consistent Electrical
- Minimum 2250VDC isolation per IEEE802.3 requirement
- Minimize PCB space and Simplify PCB Layout
- Less magnetic components to be placed on PCB, Higher reliability and yields
- UL Recognized Component: File # E330599

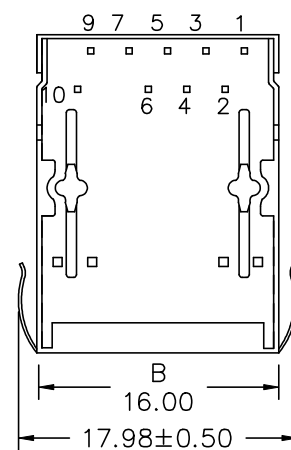
**Mechanical Dimensions:**



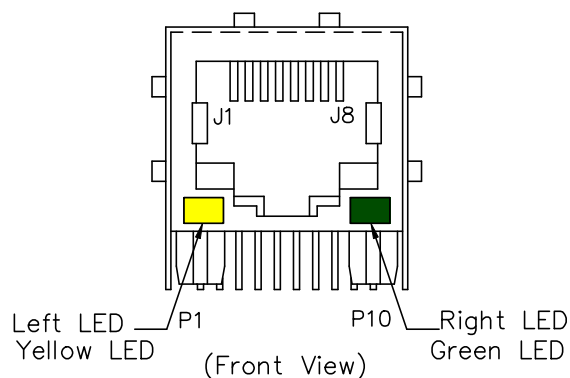
(Top View)



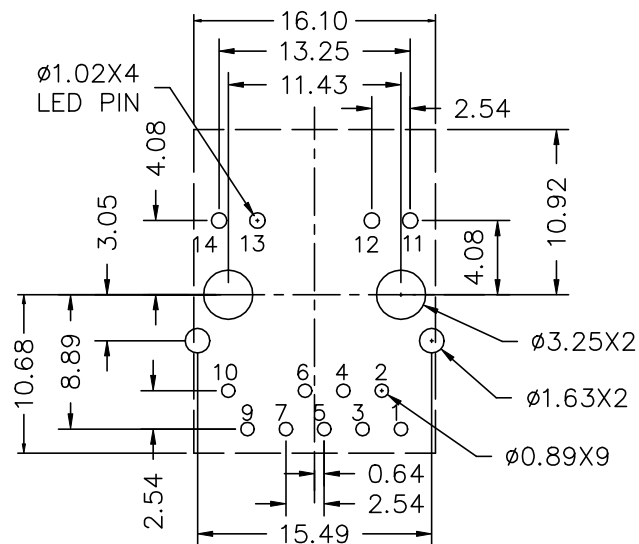
(Side View)



(Bottom View)



(Front View)



(Component Side View)  
(Mounting Pattern)

Standard LED	Wavelength	Forward V (Min/Max)	Forward A	Type
Green	568nm	1.8V/2.8V	20mA	squareness
Yellow	585nm	1.8V/2.8V	20mA	squareness

Dimensions in mm

Unless otherwise specified, Tolerance: .xx ±0.25

REV.: 03

Remark:

1.Remove Pin#8